

STRAINER series Y



VALVES



APPLICATION

The Y-strainers are installed in water systems to filter out pebbles and other impurities that could damage the equipment

DESIGN FEATURES

- Compact design
- Quick removal of lid for maintenance
- Drain plug enables full drainage without removing the lid

TECHNICAL CHARACTERISTICS

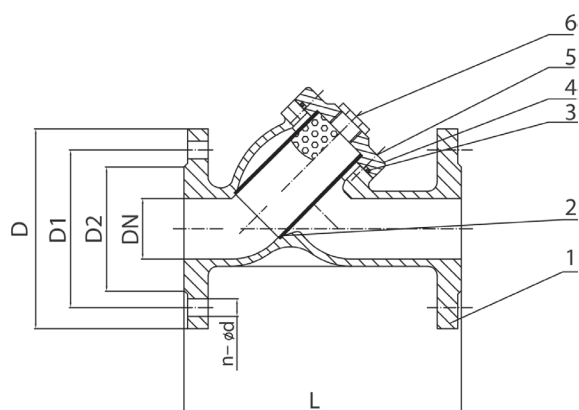
- Face to face dimensions according to EN558-1 series 1 and DIN3202 F1
- Flange connections according to EN1092-2: PN10&PN16
- Color RAL5015
- Working temperature: 0°C-70°C
- Stainless steel bolts
- Powder epoxy coating 250µm thickness

Strainers are designed for installation in horizontal pipelines

Installation in other direction pipelines is permissible if the medium flows from top to bottom

DN	Flange drilling	L	D	D1	D2	n-Ød	Weight	BLUCAST ref. no.
50	PN10/16	230	165	125	102	4-18	8.5	Y050
65	PN10/16	290	185	145	122	4-18	12	Y065
80	PN10/16	310	200	160	138	8-18	15	Y080
100	PN10/16	350	220	180	158	8-18	20	Y100
125	PN10/16	400	250	210	188	8-18	32	Y125
150	PN10/16	480	285	240	212	8-23	45	Y150
200	PN10	600	340	295	268	8-23	76	Y200
250	PN10	730	405	350	320	12-23	97	Y250
300	PN10	850	460	400	370	12-23	142	Y300
350	PN10	980	520	460	429	16-23	190	Y350
400	PN10	1100	580	515	480	16-28	240	Y400
500	PN10	1250	715	620	582	20-28	600	Y500
600	PN10	1450	840	725	682	20-31	890	Y600

*PN16 version available by pre-order



No.	Item	Material
1	Body	EN GJS-500-7
2	Screen	AISI304
3	O ring	EPDM
4	Cover	EN GJS-500-7
5	Bolts	Stainless steel A2
6	Plug	AISI304

All illustrations, technical data, dimensions (in mm) and weights (all weights specified in kg) are non-binding and are subject to change

