

REPAIR CLAMP series RM



APPLICATION

Single and double band repair clamps used for repairing broken or leaking ductile iron, steel, PE or PVC water or sewage pipelines

TECHNICAL CHARACTERISTICS

Maximum working pressure: PN16 / 16 bar

Working temperature: 0°C - +70°C

Color RAL5015

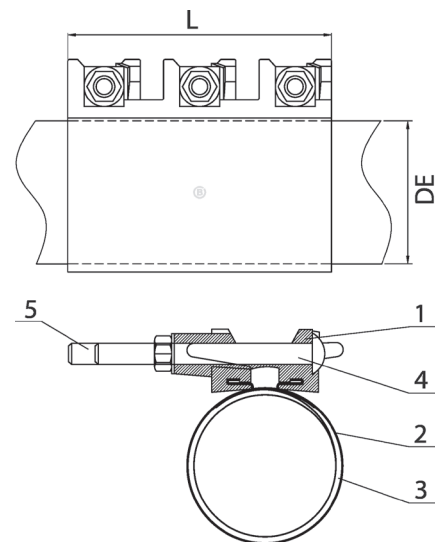
Powder epoxy coating 250 µm thickness



OTHER PRODUCTS

D _{Emin}	D _{Emax}	Lenght	Weight	PN	BLUCAST ref. no.
60	67	200	4.2	PN16	RM060200
75	85	200	4.3	PN16	RM075200
75	85	300	6	PN16	RM075300
88	98	200	4.4	PN16	RM088200
88	98	300	6.2	PN16	RM088300
108	118	200	4.7	PN16	RM108200
108	118	300	6.5	PN16	RM108300
115	128	200	4.6	PN16	RM115200
115	128	300	6.9	PN16	RM115300
132	144	200	4.7	PN16	RM132200
132	144	300	7.1	PN16	RM132300
151	161	200	4.8	PN16	RM151200
151	161	300	7.2	PN16	RM151300
158	172	200	4.9	PN16	RM158200
158	172	300	6.9	PN16	RM158300
168	182	200	4.9	PN16	RM168200
168	182	300	7.4	PN16	RM168300
193	203	200	5	PN16	RM193200
193	203	300	7.5	PN16	RM193300
217	229	200	5.5	PN16	RM217200
217	229	300	7.8	PN16	RM217300
243	260	200	5.8	PN16	RM243200
243	260	300	8.6	PN16	RM243300
270	288	200	5.9	PN16	RM270200
270	288	300	8.1	PN16	RM270300
304	323	200	6	PN16	RM304200
304	323	300	8.1	PN16	RM304300
323	336	200	6.2	PN16	RM323200
323	336	300	9.3	PN16	RM323300
410	432	300	15.2	PN16	RMD410300
410	432	400	21	PN16	RMD410400
510	540	400	21.7	PN16	RMD510400
630	660	500	36.6	PN16	RMD630500

No.	Item	Material
1	Head	Ductile iron EN-GJS-500-7
2	Body	Stainless steel AISI304
3	Gasket	EPDM
4	Bolts	Carbon steel zinc plated
5	Bolt caps	PE



All illustrations, technical data, dimensions (in mm) and weights (all weights specified in kg) are non-binding and are subject to change

