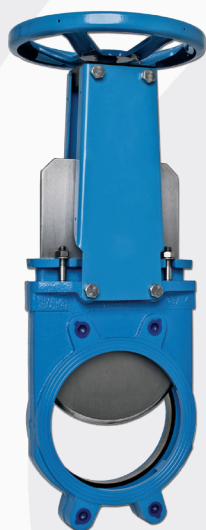


# KNIFE GATE VALVE series PS



## APPLICATION

Resilient seat knife gate valve for drinking water and neutral liquids up to 70°C

## DESIGN FEATURES

Stainless steel stem  
100% watertight  
Single or Double directional tightness  
Clockwise closing  
Non-rising stem

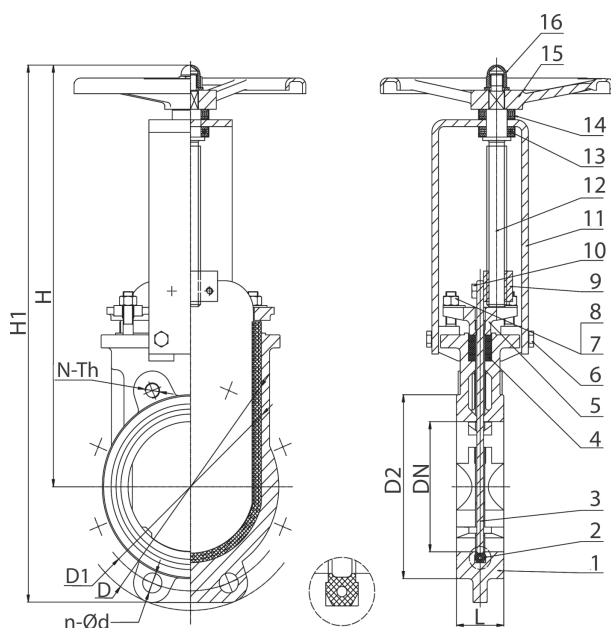
## TECHNICAL CHARACTERISTICS

Design in accordance to EN1074  
Flange end connections according to EN1092-2: PN10&PN16  
Maximum working pressure: DN50-DN250 - PN10/10 bar,  
DN300-DN400 - PN6/6 bar, DN500-DN600 - PN4/4 bar  
Working temperature: 0°C - +70°C  
EPDM seat  
Stainless steel bolts  
Color RAL5015  
Handwheel operated (DN50-DN400), from DN500 - with gearbox  
Powder epoxy coating 250 µm thickness

## OPERATING



DN	Flange drilling	L	H	H1	D2	D1	D	n-Ød	n-Th	KG	BLUCAST ref. no.
50	PN10/16	48	290	339,5	99	125	165	4-Ø18	4-M16	7	PS050
65	PN10/16	48	320	379	118	145	185	4-Ø18	4-M16	8	PS065
80	PN10/16	51	350	416	132	160	200	4-Ø18	8-M16	10	PS080
100	PN10/16	51	385	463	156	180	220	8-Ø18	8-M16	13	PS100
125	PN10/16	57	430	522	184	210	250	8-Ø18	8-M16	18	PS125
150	PN10/16	57	485	591	212	240	285	8-Ø23	8-M20	23	PS150
200	PN10	60	565	698	266	295	340	8-Ø23	8-M20	30	PS200
250	PN10	70	680	839,5	319	350	395	12-Ø23	12-M20	51	PS250
300	PN10	76	755	940	370	400	445	12-Ø23	12-M20	63	PS300
350	PN10	76	922	1137	430	460	505	16-Ø23	16-M20	87	PS350
400	PN10	89	970	1210	480	515	565	16-Ø28	16-M24	117	PS400
500	PN10	127	1330	1621	582	620	670	20-Ø28	20-M24	230	PS500
600	PN10	154	1460	1801	682	725	780	20-Ø31	20-M27	320	PS600



No.	Item	Material
1	Body	EN-GJS-400-15
2	Seat	EPDM
3	Disc	AISI304
4	Sealing	PTFE
5	Gland	WCB
6	Bolt	AISI201
7	Nut/Bolt	AISI201
8	Nut/Bolt	AISI201
9	Stem Nut	Brass
10	Bolt	SS201
11	Yoke	AISI A3
12	Stem	AISI420
13	Bearing	Stainless steel
14	Bearing Cap	AISI A3
15	Handwheel	EN-GJS-400-15
16	Nut	AISI201

All illustrations, technical data, dimensions (in mm) and weights (all weights specified in kg) are non-binding and are subject to change

