

# DOUBLE ECCENTRIC BUTTERFLY VALVE series DEBV



## APPLICATION

Double eccentric butterfly valve used for regulation and sectioning of the flow for drinking water and neutral liquids up to 70°C

## DESIGN FEATURES

- 100% watertight
- Stainless steel stem
- Mechanical position indicator
- Mechanical gearbox included
- Clockwise closing
- DN400 and above – handwheel and ISO5211 top flange for mounting electric actuator

## TECHNICAL CHARACTERISTICS

- Design in accordance to EN593
- Face to face dimensions according to EN558: Series 14 (F4)
- Flange end connections according to EN1092-2: PN10 (PN16 & PN25 options are available)
- Maximum working pressure: PN10 / 10 bar (PN16 & PN25 options available)
- Working temperature: 0°C - +70°C
- Gearbox operated
- EPDM sealing
- Stainless steel bolts
- Color RAL5015
- Powder epoxy coating 250 µm thickness
- PN10 - bi-directional seal

## OPERATING

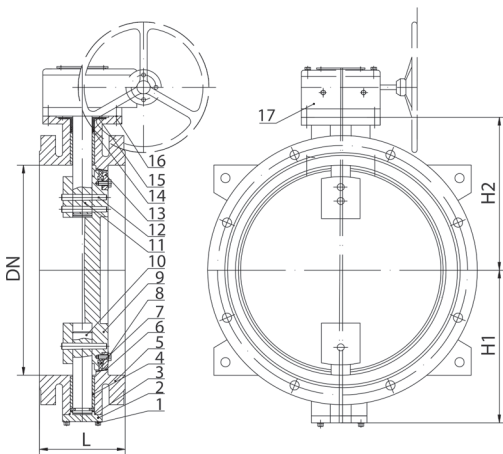


VALVES

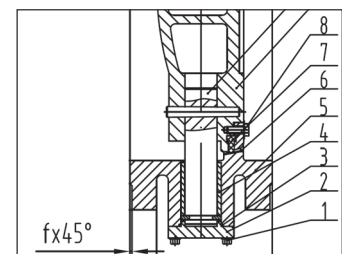
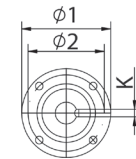
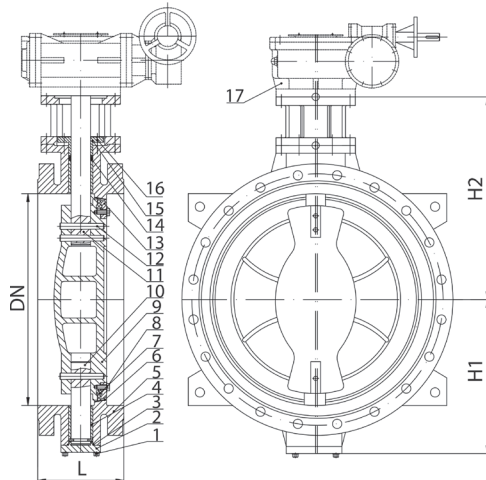
DN	L	H1	H2	ISO flange size on gearbox	Weight	BLUCAST ref. no.
100	190	122	178	Handwheel only	27	DEBV100
150	210	162	238	Handwheel only	38	DEBV150
200	230	177	250	Handwheel only	53	DEBV200
250	250	210	295	Handwheel only	73	DEBV250
300	270	258	306	Handwheel only	112	DEBV300
350	290	283	335	Handwheel only	131	DEBV350
400	310	325	538	F10	169	DEBV400
450	330	340	550	F10	200	DEBV450
500	350	375	590	F10	253	DEBV500
600	390	443	683	F10	384	DEBV600
700	430	485	732	F14	488	DEBV700
800	470	560	788	F14	631	DEBV800
900	510	601	867	F14	903	DEBV900
1000	550	680	907	F14	1160	DEBV1000
1200	630	791	1030	F14	1651	DEBV1200
1400	710	1031	1285	F14	3113	DEBV1400
1600	790	1170	1312	F16	3451	DEBV1600
1800	870	1270	1491	F16	4820	DEBV1800
2000	950	1360	1610	F16	5185	DEBV2000
2200	1030	1450	1725	F16	5550	DEBV2200

No.	Item	Material
1	Bolts	A2
2	Cover	EN-GJS-400-15
3	O-ring	EPDM
4	Bush	Steel
5	Body	EN-GJS-400-15
6	Body seal ring	Welded AISI304
7	Disc seal ring	EPDM
8	Bolts	A2
9	Disc	EN-GJS-400-15
10	Lower stem	AISI 420
11	Upper stem	AISI 420
12	Pin	AISI 420
13	Retainer ring	Q235
14	O-Ring	EPDM
15	Suffing pad	EN-GJS-400-15
16	Bolts	A2
17	Gearbox	EN-GJS-400-15

### DN100-DN350



### DN400-DN2000



All illustrations, technical data, dimensions (in mm) and weights (all weights specified in kg) are non-binding and are subject to change

