

# SADDLE FOR DUCTILE IRON PIPES series BK

# STAINLESS STEEL BAND series JB



## APPLICATION

BLUCAST series BK saddles can be used with different pipe sizes. Designed to be used with series JB stainless steel bands.

## TECHNICAL CHARACTERISTICS

Maximum working pressure: PN16 / 16 bar  
 Working temperature: 0°C - +70°C  
 Color RAL5015  
 Powder epoxy coating 250 µm thickness  
 Body from ductile iron EN-GJS-500-7  
 Gasket: EPDM

## APPLICATION

JB stainless steel bands are to be used with BK saddles or BFL saddles.

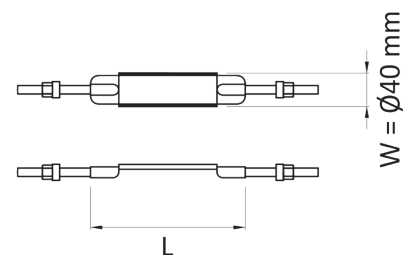
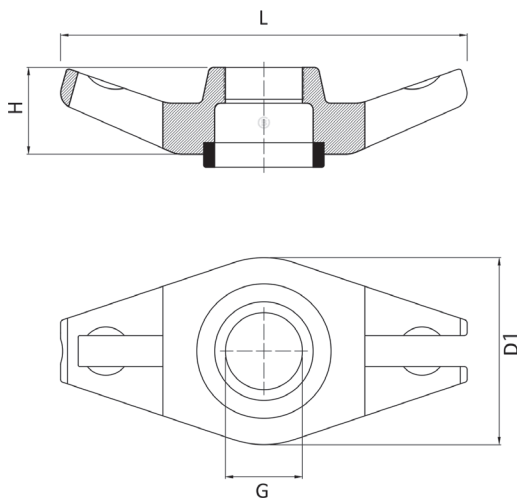
## TECHNICAL CHARACTERISTICS

Maximum working pressure: PN16 / 16 bar  
 Working temperature: 0°C - +70°C  
 Body from stainless steel AISI304  
 EPDM gasket

TAPPING SADDLES

DN	G	H	L	Weight	D1	Straps needed	BLUCAST ref. no.
50-200	1"	45	150	1.1	70	1	BK0501
50-200	1 1/4"	45	150	1.1	70	1	BK050114
50-200	1 1/2"	45	150	1.1	70	1	BK050112
100-300	1"	45	195	2.7	92	1	BK1001
100-300	1 1/4"	45	195	2.7	92	1	BK100114
100-300	1 1/2"	45	195	2.7	92	1	BK100112
100-300	2"	45	195	2.7	92	1	BK1002
80-700	2"	65	216	2.7	157	1	BK0802

DE range	BK 50-200	BK100-300	BK80-700	L	Weight	BLUCAST ref. no.
60-77	x			160	0.32	JB060077
77-95	x		x	200	0.34	JB077095
98-119	x		x	270	0.39	JB098119
102-122	x	x	x	278	0.40	JB102122
120-150	x	x	x	295	0.42	JB120150
125-135	x	x	x	295	0.43	JB125135
139-160	x	x	x	368	0.47	JB139160
150-180	x	x	x	392	0.49	JB150180
200-230		x	x	530	0.56	JB200230
230-250		x	x	610	0.60	JB230250
250-280		x	x	675	0.65	JB250280
285-315		x	x	770	0.71	JB285315
315-340		x	x	860	0.77	JB315340
410-435			x	1060	0.92	JB410435



All illustrations, technical data, dimensions (in mm) and weights (all weights specified in kg) are non-binding and are subject to change

