

# BALL CHECK VALVE series ARV



## APPLICATION

Ball check valves for drinking water and neutral liquids up to 70°C  
NBR version for sewage

## DESIGN FEATURES

Self cleaning construction  
Full bore  
Easy disassembly of the top cap to remove the ball  
Simple and compact design  
Can be installed in vertical and horizontal positions

## TECHNICAL CHARACTERISTICS

Maximum working pressure: PN10 / PN16  
Working temperature: 0°C - +70°C  
Fully vulcanized ball in EPDM (NBR option available)  
Color RAL5015  
Powder epoxy coating 250 µm thickness  
Bonnet gasket in EPDM

### Flanged version:

Design in accordance to EN12050  
Face to face dimensions according to:  
EN558 series 48 / DIN 3202 (F6)  
Flange end connections according to  
EN1092-2: PN10&PN16

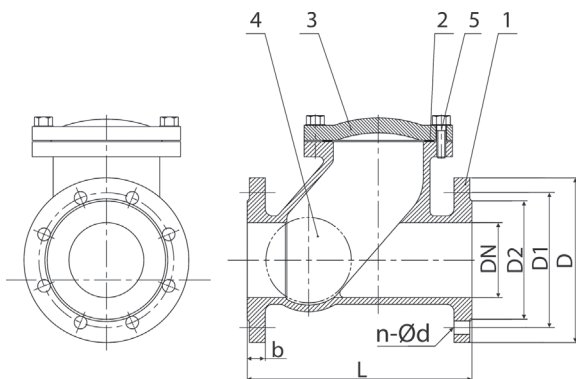
### Threaded version:

Thread connections according to EN 10226-1



VALVES

DN	Flange drilling	L	D	D1	D2	b	n-Ød	KG	BLUCAST ref. no.
32	1 1/4" thread	140	-	-	-	18	-	2,5	ARVVV032
40	1 1/2" thread	145	-	-	-	18	-	2,6	ARVVV040
50	2" thread	170	-	-	-	20	-	3,8	ARVVV050
50	PN10/16	200	165	125	102	19	4-Ø19	8,5	ARV050
65	PN10/16	240	185	145	122	19	4-Ø19	9,5	ARV065
80	PN10/16	260	200	160	138	19	8-Ø19	12	ARV080
100	PN10/16	300	220	180	158	19	8-Ø19	16	ARV100
125	PN10/16	350	250	210	188	19	8-Ø19	22	ARV125
150	PN10/16	400	285	240	212	19	8-Ø23	31	ARV150
200	PN10	500	340	295	268	20	8-Ø23	68	ARV200
250	PN10	600	405	350	319	22	12-Ø23	100	ARV250
300	PN10	700	460	400	370	24,5	12-Ø23	132	ARV300
400	PN10	900	580	515	480	28	16-Ø28	275	ARV400
500	PN10	1100	715	620	582	31	20-Ø28	550	ARV500
200	PN16	500	340	295	266	20	12-Ø23	68	ARVP200
250	PN16	600	400	355	319	22	12-Ø28	100	ARVP250
300	PN16	700	455	410	370	24,5	12-Ø28	132	ARVP300



No.	Item	Material
1	Body	EN-GJS-400-15
2	Gasket	EPDM
3	Cover	EN-GJS-400-15
4	Ball	Q235 Steel + EPDM
5	Bolt	Zinc plated 4.8 steel or Stainless steel AISI304

All illustrations, technical data, dimensions (in mm) and weights (all weights specified in kg) are non-binding and are subject to change

