

GATE VALVE PN16 (F5) series 115



APPLICATION

Flanged gate valve for drinking water and neutral liquids up to 70°C

DESIGN FEATURES

Non rising stainless steel stem

Full bore

Low closing torque

Clockwise closing (anti-clockwise closing option available)

Maintenance free

Guided wedge to ensure correct sealing

100% watertight

No zones of retention

Replaceable wedge nut

Dust protection flanges for sizes DN40-DN250

Edge protection gasket to avoid damages during transport, storage and assembly for sizes DN40-DN300

TECHNICAL CHARACTERISTICS

Design in accordance to EN1074 and EN1171

Face to face dimensions according to EN 558-1 series 15 and DIN3202 (F5)

Flange end connections according to EN1092-2: PN10&PN16

Maximum working pressure: PN16 / 16 bar

Working temperature: 0°C - +70°C

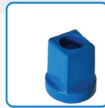
Fully vulcanized wedge in EPDM according to EN681

Stainless steel bolts

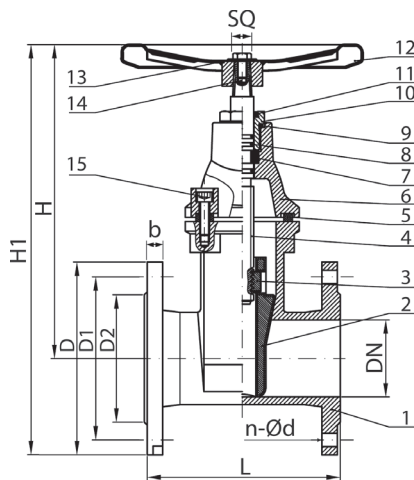
Color RAL5015

Powder epoxy coating at least 250 µm thickness

OPERATING



DN	Flange drilling	L	H	H1	D	D1	D2	b	n-Ød	SQ	KG	BLUCAST ref. no.
40	PN10/16	240	220	295	150	110	84	16	4-Ø19	14	10	115F5040
50	PN10/16	250	230	312,5	165	125	99	16	4-Ø19	14	11,8	115F5050
60/65	PN10/16	270	265	357,5	185	145	118	16	4-Ø19	17	12,2	115F5065
80	PN10/16	280	290	390	200	160	132	16	8-Ø19	17	14,4	115F5080
100	PN10/16	300	335	445	220	180	156	16	8-Ø19	19	20,2	115F5100
125	PN10/16	325	380	505	250	210	184	16	8-Ø19	19	32,7	115F5125
150	PN10/16	350	415	557,5	285	240	211	16	8-Ø23	19	34,8	115F5150
200	PN10/16	400	510	680	340	295	266	17	8-Ø23 / 12-Ø23	24	64	115F5200
250	PN10/16	450	600	800	400	355	319	19	12-Ø23 / 12-Ø28	27	87	115F5250
300	PN10/16	500	690	917,5	455	410	377	20,5	12-Ø23 / 12-Ø28	27	146	115F5300
400	PN10	600	855	1137,5	565	515	480	24	16-Ø28	27	251	115F5400
400	PN16	600	855	1145	580	525	480	24	16-Ø31	27	251	115F5P400
500	PN10	700	1072	1407	670	620	582	31,5	20-Ø28	32	402	115F5500
500	PN16	700	1072	1429,5	715	650	609	31,5	20-Ø34	32	402	115F5P500
600	PN10	800	1228	1618	780	725	682	36	20-Ø31	32	642	115F5600
600	PN16	800	1228	1648	840	770	720	36	20-Ø37	32	642	115F5P600



No.	Item	Material
1	Body	EN-GJS-500-7
2	Wedge	EN-GJS-500-7, EPDM
3	Stem nut	Brass
4	Stem	AISI420
5	Sealing gasket	EPDM
6	Bonnet	EN-GJS-500-7
7	Locating ring	Brass
8	Sealing ring	EPDM
9	Sealing ring	EPDM
10	Sealing nut	Brass
11	Sealing ring	EPDM
12	Handwheel	EN-GJS-500-7
13	Washer	AISI304
14	Bolt	AISI304
15	Bolt	AISI304



VALVES

All illustrations, technical data, dimensions (in mm) and weights (all weights specified in kg) are non-binding and are subject to change

