

BUTTERFLY VALVE series VB



GATE VALVES



APPLICATION

Wafer butterfly valve for drinking water and neutral liquids up to 70°C

DESIGN FEATURES

Wafer type for mounting between two flanges

Stainless steel stem

Mechanical position indicator

ISO5211 top flange mounting actuator

Clockwise closing

100% watertight

TECHNICAL CHARACTERISTICS

Design in accordance to EN593

Face to face dimensions according to EN558: Series 20

Flange end connections according to EN1092-2: PN10&PN16

Top flange connection according to ISO5211

Maximum working pressure: PN16 / 16 bar

Working temperature: 0°C - +70°C

DN50-DN300 - lever operated, DN350 and above - with gearbox

EPDM seat

Stainless steel bolts

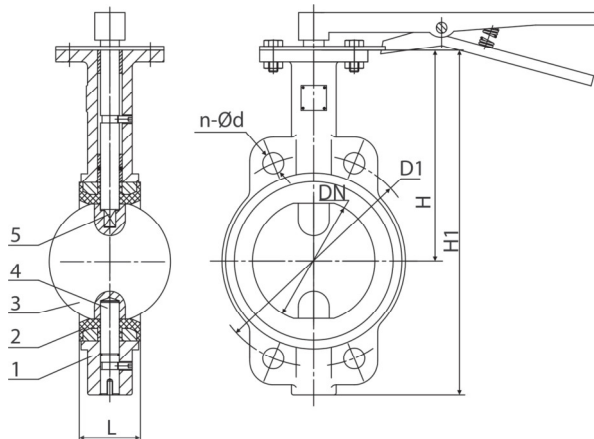
Color RAL5015

Powder epoxy coating 250 µm thickness

OPERATING



DN	Flange drilling	L	H	H1	D1	n-Ød	Top flange size ISO5211	KG	BLUCAST ref. no.
50	PN10/16	42	161	241	125	4-Ø18	F05	3,7	VB050
65	PN10/16	44.5	175	264	145	4-Ø18	F05	4,4	VB065
80	PN10/16	45	181	276	160	4-Ø18	F05	4,9	VB080
100	PN10/16	51	200	314	180	8-Ø18	F07	6,5	VB100
125	PN10/16	54.5	213	340	210	8-Ø18	F07	7,8	VB125
150	PN10/16	54.8	226	365	240	8-Ø23	F07	9,2	VB150
200	PN10	59.6	260	440	295	8-Ø23	F10	14,7	VB200
250	PN10	67	292	500	350	12-Ø23	F10	21,2	VB250
300	PN10	75.9	337	584	400	12-Ø23	F10	35,2	VB300
350	PN10	79	267	368	460	16-Ø23	F12	58,8	VB350
400	PN10	90	298	400	515	16-Ø28	F14	101,2	VB400
500	PN10	132	349	480	620	20-Ø28	F14	160,1	VB500
600	PN10	156	410	562	725	20-Ø31	F16	257,5	VB600
50	PN10/16	161	161	241	125	4-Ø18	F05	3,7	VBSS050
65	PN10/16	175	175	264	145	4-Ø18	F05	4,4	VBSS065
80	PN10/16	181	181	276	160	4-Ø18	F05	4,9	VBSS080
100	PN10/16	200	200	314	180	8-Ø18	F07	6,5	VBSS100
150	PN10/16	226	226	365	240	8-Ø23	F07	9,2	VBSS150
200	PN10	260	260	440	295	8-Ø23	F10	14,7	VBSS200



No.	Item	Material
1	Body	EN-GJS-500-7
2	Seat	EPDM
3	Disc	EN-GJS-500-7, Nickel plated OR stainless steel CF8 (AISI304)
4	Upper stem	Stainless steel AISI420
5	Lower stem	Stainless steel AISI420

All illustrations, technical data, dimensions (in mm) and weights (all weights specified in kg) are non-binding and are subject to change

