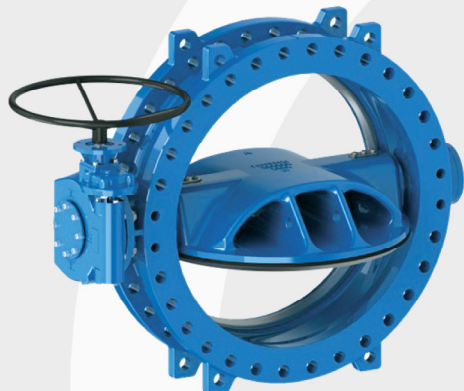


DOUBLE ECCENTRIC BUTTERFLY VALVE series DEBV



APPLICATION

Double eccentric butterfly valve used for regulation and sectioning of the flow for drinking water and neutral liquids up to 70°C

DESIGN FEATURES

100% watertight
Stainless steel stem
Mechanical position indicator
Mechanical gearbox included
Clockwise closing
DN400 and above – handwheel and ISO5211 top flange for mounting electric actuator

TECHNICAL CHARACTERISTICS

Design in accordance to EN593
Face to face dimensions according to EN558: Series 14 (F4)
Flange end connections according to EN1092-2: PN10 (PN16 & PN25 options are available)
Maximum working pressure: PN10 / 10 bar (PN16 & PN25 options available)
Working temperature: 0°C - +70°C
Gearbox operated
EPDM seat
Stainless steel bolts
Color RAL5015
Powder epoxy coating 250 µm thickness

OPERATING

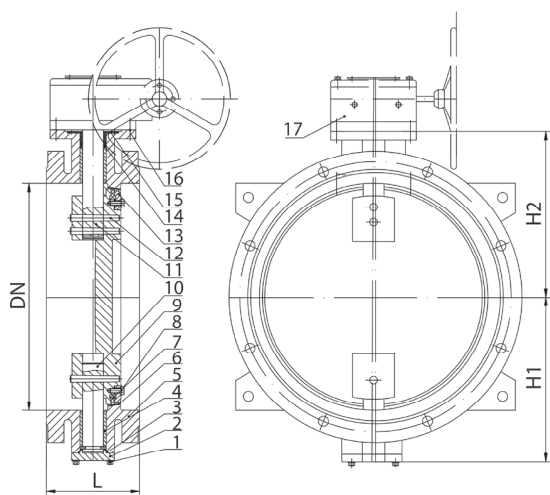


GATE VALVES

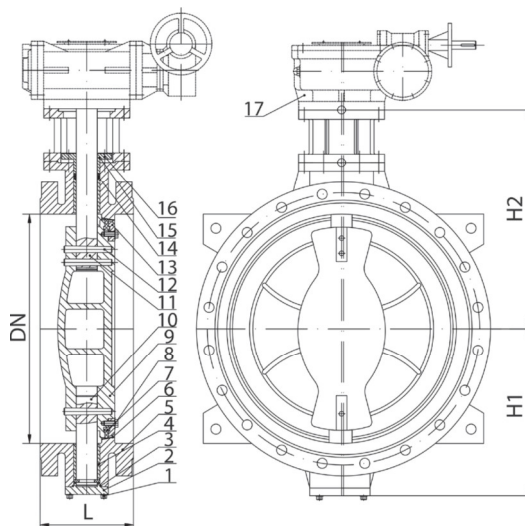
DN	L	H1	H2	ISO flange size on gearbox	Weight	BLUCAST ref. no.
300	270	258	306	Handwheel only	112	DEBV300
350	290	283	335	Handwheel only	131	DEBV350
400	310	325	538	F10	169	DEBV400
450	330	340	550	F10	200	DEBV450
500	350	375	590	F10	253	DEBV500
600	390	443	683	F10	384	DEBV600
700	430	485	732	F14	488	DEBV700
800	470	560	788	F14	631	DEBV800
900	510	601	867	F14	903	DEBV900
1000	550	680	907	F14	1160	DEBV1000
1200	630	791	1030	F14	1651	DEBV1200
1400	710	1031	1285	F14	3113	DEBV1400
1600	790	1170	1312	F16	3451	DEBV1600
1800	870	1270	1491	F16	4820	DEBV1800
2000	950	1360	1610	F16	5185	DEBV2000

No.	Item	Material
1	Bolts	A2
2	Cover	EN-GJS-400-15
3	O-ring	EPDM
4	Bush	Steel
5	Body	EN-GJS-400-15
6	Body seal ring	AISI 304
7	Disc seal ring	EPDM
8	Bolts	A2
9	Disc	EN-GJS-400-15
10	Lower stem	AISI 420
11	Upper stem	AISI 420
12	Pin	AISI 420
13	Retainer ring	Q235
14	O-Ring	EPDM
15	Suffing pad	EN-GJS-400-15
16	Bolts	A2
17	Gearbox	EN-GJS-400-15

DN300-DN350



DN400-DN2000



All illustrations, technical data, dimensions (in mm) and weights (all weights specified in kg) are non-binding and are subject to change

