

MAXIGRIP UNIVERSAL ADAPTOR series AGRIP



APPLICATION

Restrained universal flange adaptor provides reliable connection to various types of pipe where tension resistance is required

DESIGN FEATURES

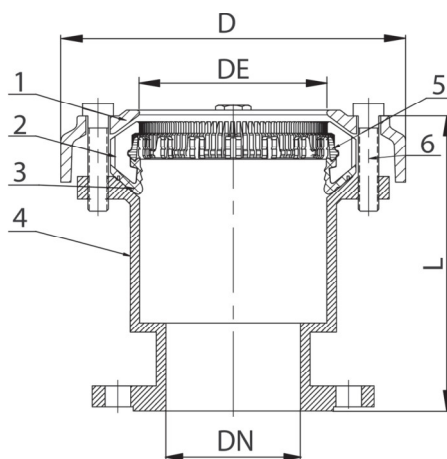
- Tensile resistant
- Large tolerance
- Suitable for ductile iron, steel, PE, PVC, AC pipes
- Universal drilling for compatibility with both PN10 and PN16
- Angular deflection up to 4°
- Corrosion resistant construction

TECHNICAL CHARACTERISTICS

- Mechanical locking by metal inserts to avoid pipes axial movement
- Flange end connections according to EN1092-2: PN10/PN16
- Maximum working pressure: PN16 / 16 bar
- Working temperature: -10°C - +70°C
- Body, end ring EN GJS450-12
- Gaskets - EPDM (NBR option available)
- Bolts, nuts and washers - carbon steel 8.8 hot dip galvanized (other options available)
- Galvanized carbon steel tension locks acc. to EN10025
- Epoxy powder coating acc. to DIN30677 - minimum 250 µm thickness
- Color RAL5015
- Tested acc. to EN14525

DN	D	DE	L	Weight	BLUCAST ref. no.
50	187	46-70	170	6.50	AGRIP050
65	212	70-95	195	7.00	AGRIP065
80	240	88-123	215	8.00	AGRIP080
100	260	108-143	225	10.90	AGRIP100
125	285	133-168	225	13.20	AGRIP125
150	311	159-194	225	17.50	AGRIP150
200	370	200-235	245	23.50	AGRIP200
250	420	250-285	265	37	AGRIP250
300	485	315-350	275	47	AGRIP300

No.	Item	Material
1	Bracket	EN GJS-450-12
2	Plastic tension ring	Plastic
3	Gasket	EPDM
4	Body	EN GJS-450-12
5	Grippers	Carbon steel, zinc coat
6	Bolts, nuts, washers	Carbon steel 8.8



All illustrations, technical data, dimensions (in mm) and weights (all weights specified in kg) are non-binding and are subject to change

