

GATE VALVE

for electric actuator PN16 (F4) series 115



GATE VALVES



APPLICATION

Flanged gate valve for drinking water and neutral liquids up to 70°C

DESIGN FEATURES

Non rising stainless steel stem	Guided wedge to ensure correct sealing
Full bore	100% watertight
Low closing torque	No zones of retention
Clockwise closing	ISO5210 top flange for mounting an actuator
Maintenance free	

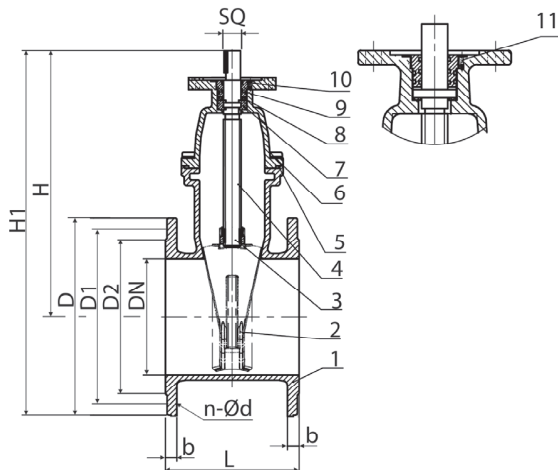
TECHNICAL CHARACTERISTICS

Design in accordance to EN1074 and EN1171
 Face to face dimensions according to EN 558-1 series 14 and DIN3202 (F4)
 Flange end connections according to EN1092-2: PN10&PN16
 Top flange connection according to ISO5210
 Maximum working pressure: PN16 / 16 bar
 Working temperature: 0°C - +70°C
 Fully vulcanized wedge in EPDM according to EN681
 Stainless steel bolts
 Color RAL5015
 Powder epoxy coating at least 250 µm thickness

OPERATING



DN	Flange drilling	L	H	H1	D	D1	D2	b	n-Ød	Top flange size ISO5210	SQ	Torque (Nm)	KG	BLUCAST ref. no.
40	PN10/16	140	220	295	150	110	84	16	4-Ø19	F10	20	30	9,9	115E050
50	PN10/16	150	230	312,5	165	125	99	16	4-Ø19	F10	20	40	11,66	115E050
65	PN10/16	170	265	357,5	185	145	118	16	4-Ø19	F10	20	60	12,1	115E065
80	PN10/16	180	290	390	200	160	132	16	8-Ø19	F10	20	60	13,86	115E080
100	PN10/16	190	335	445	220	180	156	16	8-Ø19	F10	20	80	19,8	115E100
125	PN10/16	200	380	505	250	210	184	16	8-Ø19	F10	20	100	29,59	115E125
150	PN10/16	210	415	557,5	285	240	211	16	8-Ø23	F10	20	125	33,22	115E150
200	PN10	230	510	680	340	295	266	17	8-Ø23	F14	30	150	58,3	115E200
200	PN16	230	510	680	340	295	266	17	12-Ø23	F14	30	150	58,3	115EU200
250	PN10	250	600	800	400	350	319	19	12-Ø23	F14	30	200	81	115E250
250	PN16	250	600	800	400	355	319	19	12-Ø28	F14	30	200	81	115EU250
300	PN10	270	690	917,5	455	400	370	20,5	12-Ø23	F14	30	250	118	115E300
300	PN16	270	690	917,5	455	410	370	20,5	12-Ø28	F14	30	250	118	115EU300
350	PN10	290	790	1042,5	505	460	429	22,5	16-Ø23	F14	30	300	174	115E350
350	PN16	290	790	1050	520	470	429	22,5	16-Ø28	F14	30	300	174	115EU350
400	PN10	310	855	1137,5	565	515	480	24	16-Ø28	F14	30	350	221	115E400
400	PN16	310	855	1145	580	525	480	24	16-Ø31	F14	30	350	221	115EU400
500	PN10	350	1072	1407	670	620	582	31,5	20-Ø28	F16	35	500	379	115E500
500	PN16	350	1072	1429,5	715	650	609	31,5	20-Ø34	F16	35	500	379	115EU500
600	PN10	390	1228	1618	780	725	682	36	20-Ø31	F16	35	650	597	115E600
600	PN16	390	1228	1648	840	770	720	36	20-Ø37	F16	35	650	597	115EU600



No.	Item	Material
1	Body	EN-GJS-500-7
2	Wedge	EN-GJS-500-7, EPDM
3	Stem Nut	Brass
4	Stem	AISI420
5	Sealing Gasket	EPDM
6	Bonnet	EN-GJS-500-7
7	Locating ring	Brass
8	O ring	EPDM
9	O ring	EPDM
10	Seal	Brass
11	Bolt	AISI304

All illustrations, technical data, dimensions (in mm) and weights (all weights specified in kg) are non-binding and are subject to change

