

GATE VALVE PN10 (F4) series 116



APPLICATION

Flanged gate valve for drinking water and neutral liquids up to 70°C

DESIGN FEATURES

Non rising stainless steel stem	Guided wedge to ensure correct sealing
Full bore	100% watertight
Low closing torque	No zones of retention
Clockwise closing	Replaceable wedge nut

TECHNICAL CHARACTERISTICS

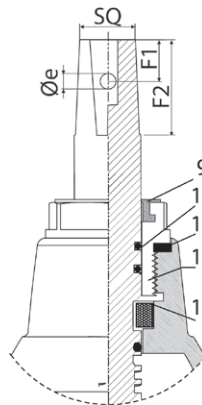
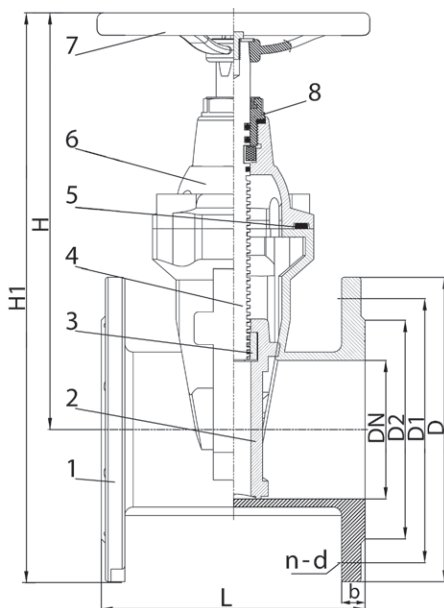
Design in accordance to EN1074 and EN1171
 Face to face dimensions according to EN 558-1 and DIN3202 (F4)
 Flange end connections according to EN1092-2: PN10&PN16
 Maximum working pressure: PN16 / 16 bar
 Working temperature: 0°C - +70°C
 Fully vulcanized wedge in EPDM according to EN681
 Stainless steel bolts
 Color RAL5015
 Powder epoxy coating at least 250 µm thickness

OPERATING



DN	Flange drilling	L	H	H1	D	D1	D2	b	n-Ød	F1	F2	Øe	SQ	KG	BLUCAST ref. no.
50	PN10/16	150	220	303	165	125	102	19	4-Ø19	9	20	4	14	9	116050
65	PN10/16	170	247	340	185	145	122	19	4-Ø19	9	20	4	14	12	116065
80	PN10/16	180	310	410	200	160	138	19	8-Ø19	16	25	4	14	16	116080
100	PN10/16	190	320	430	220	180	158	19	8-Ø19	16	25	4	14	18	116100
125	PN10/16	200	375	500	250	210	188	19	8-Ø19	16	25	4	19	32	116125
150	PN10/16	210	418	560	285	240	212	20	8-Ø23	16	25	4	19	36	116150
200	PN10	230	460	630	340	295	268	22	8-Ø23	16	25	4	19	54	116200
250	PN10	250	580	778	395	350	320	24	12-Ø23	18	30	6	24	84	116250
300	PN10	270	670	893	445	400	370	26	12-Ø23	18	30	6	27	114	116300

*for diameters DN350-600 or flange drilling PN16 please refer to our 115 series



Poz.	Item	Material
1	Body	EN-GJS-500-7
2	Wedge	EN-GJS-500, EPDM
3	Stem nut	Brass
4	Stem	Stainless steel 1.4021
5	Seal gasket	EPDM
6	Bonnet	EN-GJS-500-7
7	Handwheel	Q235
8	Trust nut	Brass
9	Anti-Dust ring	EPDM
10	Locking nut	Brass
11	Sealing ring	EPDM
12	O-ring	EPDM
13	Positioning ring	Brass

