

# STRAINER series Y



## APPLICATION

The Y-strainers are installed in water systems to filter out pebbles and other impurities that could damage the equipment

## DESIGN FEATURES

- Compact design
- Quick removal of lid for maintenance
- Drain plug enables full drainage without removing the lid

## TECHNICAL CHARACTERISTICS

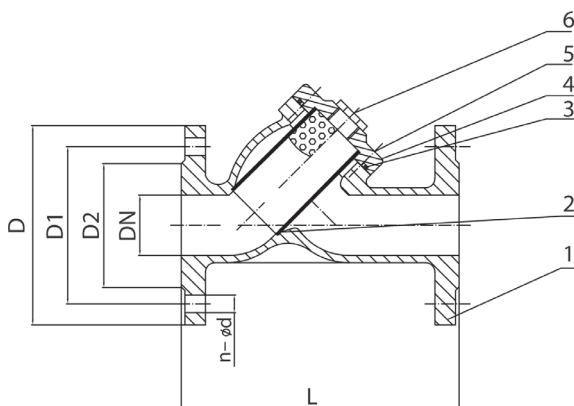
- Face to face dimensions according to EN558-1 series 1 and DIN3202 F1
- Flange connections according to EN1092-2: PN10&PN16
- Color RAL5015
- Working temperature: 0°C-70°C
- Stainless steel bolts
- Powder epoxy coating 250µm thickness

Strainers are designed for installation in horizontal pipelines

Installation in other direction pipelines is permissible if the medium flows from top to bottom

| DN  | Flange drilling | L    | D   | D1  | D2  | n-∅d  | Weight | BLUCAST ref. no. |
|-----|-----------------|------|-----|-----|-----|-------|--------|------------------|
| 50  | PN10/16         | 230  | 165 | 125 | 102 | 4-18  | 8.5    | Y050             |
| 65  | PN10/16         | 290  | 185 | 145 | 122 | 4-18  | 12     | Y065             |
| 80  | PN10/16         | 310  | 200 | 160 | 138 | 8-18  | 15     | Y080             |
| 100 | PN10/16         | 350  | 220 | 180 | 158 | 8-18  | 20     | Y100             |
| 125 | PN10/16         | 400  | 250 | 210 | 188 | 8-18  | 32     | Y125             |
| 150 | PN10/16         | 480  | 285 | 240 | 212 | 8-23  | 45     | Y150             |
| 200 | PN10            | 600  | 340 | 295 | 268 | 8-23  | 76     | Y200             |
| 250 | PN10            | 730  | 405 | 350 | 320 | 12-23 | 97     | Y250             |
| 300 | PN10            | 850  | 460 | 400 | 370 | 12-23 | 142    | Y300             |
| 350 | PN10            | 980  | 520 | 460 | 429 | 16-23 | 190    | Y350             |
| 400 | PN10            | 1100 | 580 | 515 | 480 | 16-28 | 240    | Y400             |
| 500 | PN10            | 1250 | 715 | 620 | 582 | 20-28 | 600    | Y500             |
| 600 | PN10            | 1450 | 840 | 725 | 682 | 20-31 | 890    | Y600             |

\*PN16 version available by pre-order



| No. | Item   | Material           |
|-----|--------|--------------------|
| 1   | Body   | EN GJS-500-7       |
| 2   | Screen | AISI304            |
| 3   | O ring | EPDM               |
| 4   | Cover  | EN GJS-500-7       |
| 5   | Bolts  | Stainless steel A2 |
| 6   | Plug   | AISI304            |