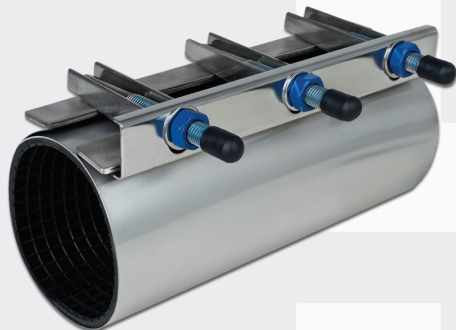


STAINLESS STEEL REPAIR CLAMP series RMSS



OTHER PRODUCTS



APPLICATION

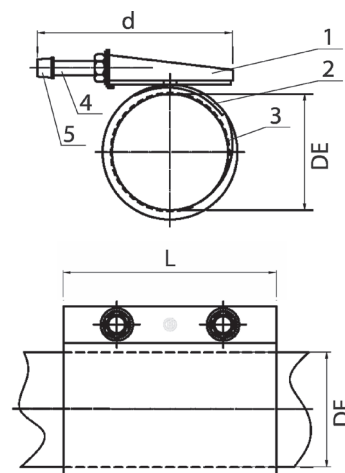
Single clamp repair clamps used for repairing broken or leaking ductile iron, steel, PE or PVC water or sewage pipelines

TECHNICAL CHARACTERISTICS

Maximum working pressure: PN16 / 16 bar
 Working temperature: 0°C - +70°C
 Bolt nuts coated in nylon to prevent corrosion

DEmin	DEmax	Lenght	Weight	PN	BLUCAST ref. no.
60	67	200	1.5	PN16	RMSS060200
75	85	200	2	PN16	RMSS075200
88	98	200	2	PN16	RMSS088200
108	118	200	2.2	PN16	RMSS108200
108	118	300	3.3	PN16	RMSS108300
115	128	200	2.3	PN16	RMSS115200
115	128	300	3.4	PN16	RMSS115300
132	142	200	2.4	PN16	RMSS132200
132	142	300	3.6	PN16	RMSS132300
151	161	200	2.5	PN16	RMSS151200
151	161	300	3.7	PN16	RMSS151300
158	172	200	2.6	PN16	RMSS158200
158	172	300	3.8	PN16	RMSS158300
168	182	200	2.7	PN16	RMSS168200
168	182	300	4.1	PN16	RMSS168300
217	229	200	3.2	PN16	RMSS217200
217	229	300	4.7	PN16	RMSS217300
270	288	200	3.5	PN16	RMSS270200
270	288	300	5.3	PN16	RMSS270300
304	320	200	3.7	PN16	RMSS304200
304	320	300	5.6	PN16	RMSS304300
323	336	200	3.9	PN16	RMSS323200
323	336	300	5.8	PN16	RMSS323300

No.	Item	Material
1	Head	Stainless steel AISI304
2	Body	Stainless steel AISI304
3	Gasket	EPDM
4	Bolts	Stainless steel AISI304
5	Bolt caps	PE </td



All illustrations, technical data, dimensions (in mm) and weights (all weights specified in kg) are non-binding and are subject to change

