

UNDERGROUND HYDRANT PN16 series PH



APPLICATION

Underground hydrant for fire protection and drinking water applications

DESIGN FEATURES

Corrosion resistant internal and external parts
 Complete drainage system
 Low closing torque
 Clockwise closing
 100% watertight
 Fully vulcanized valve plug

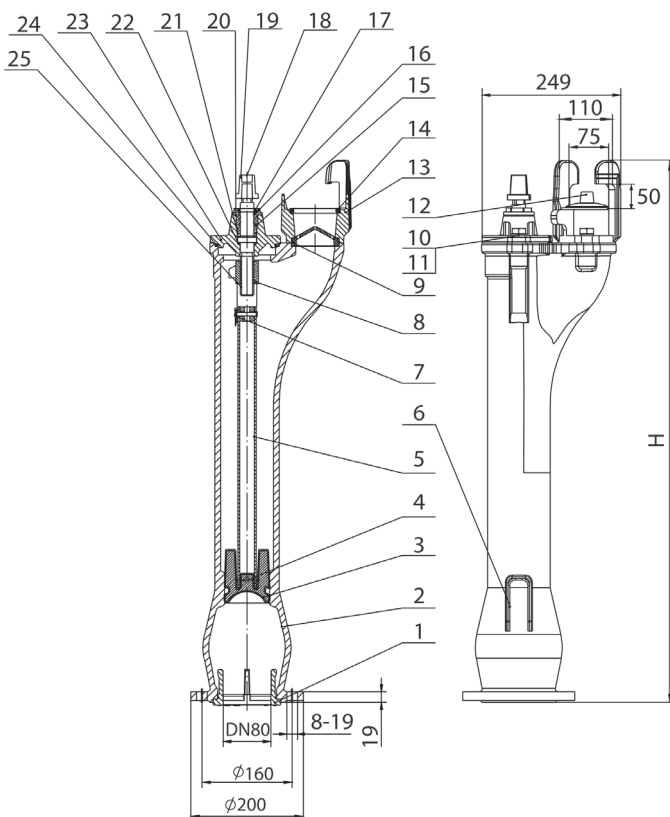
TECHNICAL CHARACTERISTICS

Flange end connections according to EN1092-2: PN10/PN16
 Product according to EN 1074-1; EN 1074-6; EN 14339
 Bayonet socket according to DIN 3221 "C"
 Maximum working pressure: PN16 / 16 bar
 Working temperature: 0°C - +50°C
 Fully vulcanized wedge in EPDM
 Color RAL5015
 Powder epoxy coating 250 µm thickness
 Beginning of opening <3 turns, full opening after 8 turns

OPERATING



DN	Flange drilling	H	RD	KG	BLUCAST ref. no.
80	PN10/16	527	750	30	PH0800750
80	PN10/16	725	1000	33	PH0801000
80	PN10/16	975	1250	36	PH0801250
80	PN10/16	1225	1500	39	PH0801500
80	PN10/16	1475	1800	42	PH0801800



No.	Item	Material
1	Gasket	EPDM+PVC
2	Body	EN-GJS-500-7
3	Wedge	EN-GJS-500-7, EPDM
4	Pin	Stainless steel
5	Stem extension	AISI304
6	Drain cover	PVC
7	Pin	Stainless steel
8	Connecting nut	Brass
9	Deflector	EPDM
10	Bolt	Stainless steel A2
11	Washer	Stainless steel A2
12	Closing lid	PP
13	Bayonet socket	EN-GJS-500-7
14	Gasket	Brass
15	Sealing nut	Brass
16	O rings	EPDM
17	Dust proof ring	EPDM
18	Bolt	Stainless steel A2
19	Square cap	EN-GJS-500-7
20	O ring	EPDM
21	O ring	EPDM
22	Washer	PTFE
23	Upper bonnet	EN-GJS-500-7
24	O ring	EPDM
25	Stem	AISI420



GATE VALVES

All illustrations, technical data, dimensions (in mm) and weights (all weights specified in kg) are non-binding and are subject to change

