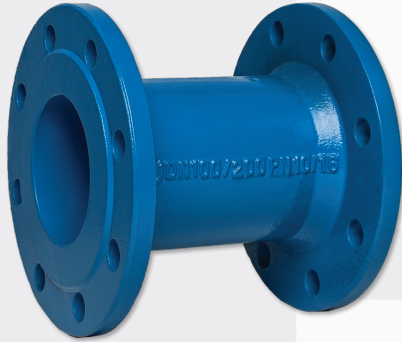


DOUBLE FLANGED PIPE series FF

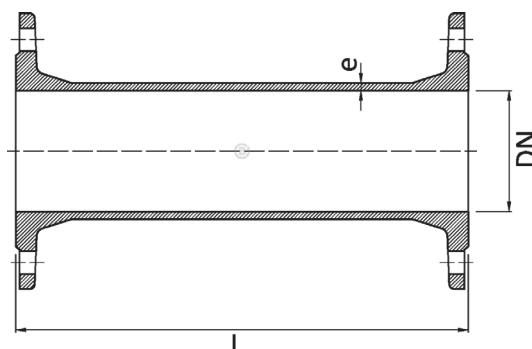


TECHNICAL CHARACTERISTICS

Flange end connections according to EN1092-2
 Designed according to EN545
 Maximum working pressure: PN16 / 16 bar
 Working temperature: 0°C - +70°C
 Color RAL5015
 Powder epoxy coating 250 µm thickness
 Drilling of flanges: PN10/16, starting from DN200 - PN10
 Body from ductile iron EN-GJS-500-7
 WRAS approved epoxy coating,
 ACS approved epoxy coating under request

DN	Flange drilling	L	e	Weight	BLUCAST ref. no.
50	PN10/16	100	7	4	FF050100
50	PN10/16	200	7	5.5	FF050200
50	PN10/16	300	7	7	FF050300
50	PN10/16	400	7	8.5	FF050400
50	PN10/16	500	7	11	FF050500
50	PN10/16	1000	7	18	FF0501000
65	PN10/16	200	7	9	FF065200
65	PN10/16	300	7	10	FF065300
65	PN10/16	500	7	12.7	FF065500
80	PN10/16	100	7	7.7	FF080100
80	PN10/16	200	7	9	FF080200
80	PN10/16	300	7	11	FF080300
80	PN10/16	400	7	12.5	FF080400
80	PN10/16	500	7	14	FF080500
80	PN10/16	1000	7	22.3	FF0801000
100	PN10/16	100	7.2	8.8	FF100100
100	PN10/16	200	7.2	10.5	FF100200
100	PN10/16	300	7.2	12	FF100300
100	PN10/16	400	7.2	14	FF100400
100	PN10/16	500	7.2	15.5	FF100500
100	PN10/16	1000	7.2	25	FF1001000

DN	Flange drilling	L	e	Weight	BLUCAST ref. no.
150	PN10/16	100	7.8	14	FF150100
150	PN10/16	200	7.8	16	FF150200
150	PN10/16	300	7.8	19	FF150300
150	PN10/16	400	7.8	21	FF150400
150	PN10/16	500	7.8	24	FF150500
150	PN10/16	1000	7.8	38	FF1501000
200	PN10	100	8.4	19	FF200100
200	PN10	200	8.4	22	FF200200
200	PN10	300	8.4	26	FF200300
200	PN10	400	8.4	30	FF200400
200	PN10	500	8.4	34	FF200500
200	PN10	1000	8.4	54	FF2001000
250	PN10	200	9	29	FF250200
250	PN10	300	9	35	FF250300
250	PN10	500	9	45	FF250500
250	PN10	1000	9	72	FF2501000
300	PN10	100	9.6	31	FF300100
300	PN10	200	9.6	39	FF300200
300	PN10	300	9.6	45	FF300300
300	PN10	400	9.6	52	FF300400
300	PN10	500	9.6	59	FF300500
300	PN10	1000	9.6	93	FF3001000



All illustrations, technical data, dimensions (in mm) and weights (all weights specified in kg) are non-binding and are subject to change

