

MAXIGRIP UNIVERSAL ADAPTOR series AGRIP



APPLICATION

Restrained universal flange adaptor provides reliable connection to various types of pipe where tension resistance is required

DESIGN FEATURES

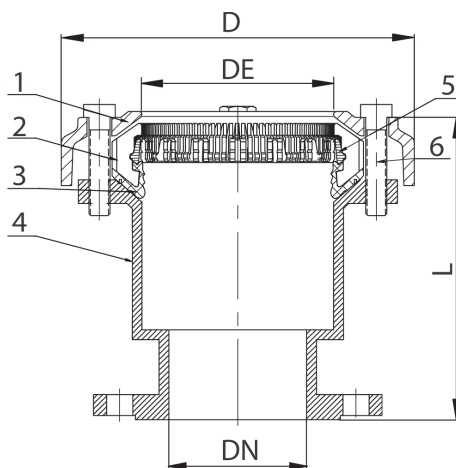
Tensile resistant
 Large tolerance
 Suitable for ductile iron, steel, PE, PVC, AC pipes
 Universal drilling for compatibility with both PN10 and PN16
 Angular deflection up to 4°
 Corrosion resistant construction

TECHNICAL CHARACTERISTICS

Mechanical locking by metal inserts to avoid pipes axial movement
 Flange end connections according to EN1092-2: PN10/PN16
 Maximum working pressure: PN16 / 16 bar
 Working temperature: -10°C - +70°C
 Body, end ring EN GJS450-12
 Gaskets - EPDM (NBR option available)
 Bolts, nuts and washers - carbon steel 8.8 hot dip galvanized (other options available)
 Galvanized carbon steel tension locks acc. to EN10025
 Epoxy powder coating acc. to DIN30677 - minimum 250 µm thickness
 Color RAL5015
 Tested acc. to EN14525

DN	D	DE	L	Weight	BLUCAST ref. no.
50	187	46-70	170	6.50	AGRIP050
65	212	70-95	195	7.00	AGRIP065
80	240	88-123	215	8.00	AGRIP080
100	260	108-143	225	10.90	AGRIP100
125	285	133-168	225	13.20	AGRIP125
150	311	159-194	225	17.50	AGRIP150
200	370	200-235	245	23.50	AGRIP200
250	420	250-285	265	37	AGRIP250
300	485	315-350	275	47	AGRIP300

No.	Item	Material
1	Bracket	EN GJS-450-12
2	Plastic tension ring	Plastic
3	Gasket	EPDM
4	Body	EN GJS-450-12
5	Grippers	Carbon steel, zinc coated
6	Bolts, nuts, washers	Carbon steel 8.8



All illustrations, technical data, dimensions (in mm) and weights (all weights specified in kg) are non-binding and are subject to change

